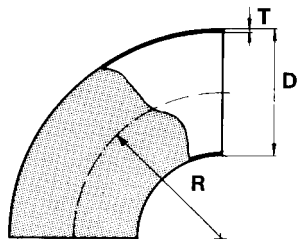




Svejs fittings

Bøjninger	1 - 2
Svejskraver	3
T-rør	4
Pressede T-rør	5
Konusser	6
Endebunde	7
Rørbærere	8
Øvrige leveringsmuligheder	9

Bøjninger, svejste, 90°

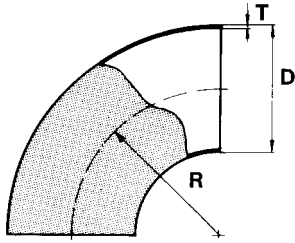


R: D x 1,5			INOX 4000	INOX 5000
ISO				
Nom. dim.	D X T mm	R mm	AISI 304L	AISI 316L
8	13,5 x 1,6	20,5	○	●
	2,3		○	○
10	17,2 x 1,6	28,5	○	○
	2,0		●	●
	2,3		○	●
15	21,3 x 1,6	31,8	●	○
	2,0		●	●
	2,6		●	●
20	26,9 x 2,0	28,5	●	●
	2,6		●	●
25	33,7 x 2,0	38,0	●	●
	3,2		●	●
32	42,4 x 2,0	47,6	●	●
	3,2		●	●
40	48,3 x 2,0	57,1	●	●
	3,2		●	●
	3,2		●	●
50	60,3 x 2,0	76,2	●	●
	2,6		○	○
	3,0		●	●
65	76,1 x 2,0	96,0	●	●
	2,6		○	○
	3,0		●	●
	3,6		●	●

R: D x 1,5			INOX 4000	INOX 5000
ISO				
Nom. dim.	D X T mm	R mm	AISI 304L	AISI 316L
80	88,9 x 2,0	114,5	●	●
	3,0		●	●
	4,0		●	●
100	114,3 x 2,0	152,5	●	●
	3,0		●	●
125	139,7 x 2,0	190,5	●	●
	3,0		●	●
150	168,3 x 2,0	228,5	●	●
	3,0		●	●
200	219,1 x 2,0	305,0	●	●
	3,0		○	●
250	273,0 x 2,0	381,0	○	○
	3,0		●	●
300	323,9 x 2,0	457,0	○	○
	3,0		●	●
350	355,6 x 3,0	534,0	●	●
	400		406,4 x 3,0	610,0
450	457,0 x 3,0	686,0	○	○
	500		508,0 x 3,0	762,0
600	609,6 x 3,0	914,0	○	○

- = lagerdimension
- = værkslager / skaffevare

Bøjninger, svejste, 90°



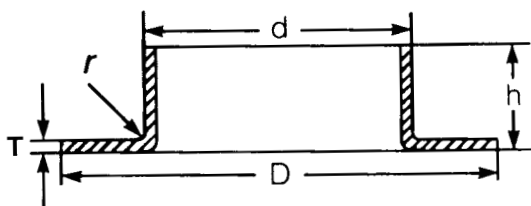
R: D x 1,5			INOX 4005	INOX 5005	
DIN					
Nom. dim.	D X T mm	R mm	AISI 304L	AISI 316L	
15	18,0 x 1,5	27,0	●	○	
	20,0 x 1,5	30,0	●	●	
	2,0		●	●	
20	23,0 x 1,5	35,0	○	○	
	25,0 x 1,5	38,1	●	●	
	2,0		●	●	
25	28,0 x 1,5	42,0	●	●	
	30,0 x 1,5	45,0	●	○	
	2,0		●	●	
32	32,0 x 2,0	48,0	○	○	
	35,0 x 2,0	52,5	●	○	
	38,0 x 1,5	57,0	●	●	
40	2,0		●	●	
	40,0 x 2,0	60,0	●	●	
	43,0 x 1,5	64,5	●	○	
50	44,5 x 2,0	66,0	●	●	
	50,0 x 1,5	75,0	○	○	
	2,0		○	○	
65	50,8 x 1,5		○	○	
	2,0		●	●	
	54,0 x 2,0	70,0	●	●	
80	70,0 x 2,0	92,0	●	●	
	84,0 x 2,0	126,5	●	●	
	100	104,0 x 2,0	150,0	●	●
125	106,0 x 3,0	150,0	○	○	
	108,0 x 2,0	142,5	●	○	
	129,0 x 2,0	187,5	●	●	
150	154,0 x 2,0	225,0	●	●	
	156,0 x 3,0	225,0	●	●	
	200	204,0 x 2,0	300,0	●	●
250	206,0 x 3,0	300,0	●	●	
	254,0 x 2,0	375,0	●	●	
	256,0 x 3,0	375,0	●	●	
300	304,0 x 2,0	450,0	●	●	
	306,0 x 3,0	450,0	●	●	
	350	356,0 x 3,0	525,0	●	●
400	406,0 x 3,0	600,0	●	●	
	450	456,0 x 3,0	675,0	○	○
	500	506,0 x 3,0	750,0	●	●
600	606,0 x 3,0	900,0	○	○	

R: D + 100			INOX 4006	INOX 5006
DIN				
Nom. dim.	D X T mm	R mm	AISI 304L	AISI 316L
250	254,0 x 2,0	350,0	○	○
	256,0 x 3,0	350,0	○	○
300	304,0 x 2,0	400,0	○	○
	306,0 x 3,0	400,0	○	○
350	356,0 x 3,0	450,0	○	○
400	406,0 x 3,0	500,0	○	○
450	456,0 x 3,0	550,0	○	○
500	506,0 x 3,0	600,0	○	○
600	606,0 x 3,0	700,0	○	○

- = lagerdimension
- = værkslager / skaffevare

Svejskraver

Passende til løsflanger nr. 6040/6045 og 6050/6055

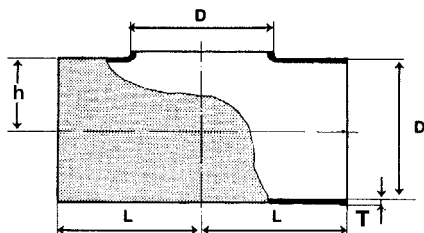


INOX nr. 4010: AISI 304L INOX nr. 5010: AISI 316L							
ISO							
Nom. dim.	d mm	D mm	T mm	r mm	h mm	AISI 304L	AISI 316L
10	17,2	40	3	3	6	○	○
15	21,3	45	2	3	6	○	●
			3	3	6	○	●
20	26,9	58	2	3	8	○	●
			3	3	8	○	●
25	33,7	68	2	4	9	●	●
			3	4	9	●	●
32	42,4	78	2	4	10	●	●
			3	4	10	●	●
40	48,3	88	2	4	10	●	●
			3	4	10	●	●
50	60,3	102	2	5	12	●	●
			3	5	12	●	●
65	76,1	122	2	5	12	●	●
			3	5	12	●	●
80	88,9	138	2	5	12	●	●
			3	5	12	●	●
100	114,3	158	2	5	16	●	●
			3	5	16	●	●
125	139,7	188	2	5	16	●	●
			3	5	16	●	●
150	168,3	212	2	5	17	●	●
			3	5	17	●	●
200	219,1	268	2	5	18	●	●
			3	5	18	●	●
250	273,0	320	3	5	18	●	●
300	323,9	370	3	5	19	●	●

INOX nr. 4015: AISI 304L INOX nr. 5015: AISI 316L							
DIN							
Nom. dim.	d mm	D mm	T mm	r mm	h mm	AISI 304L	AISI 316L
32	38,0	78	3	4	10	○	●
40	46,0	88	3	4	12	○	○
50	54,0	102	2	4	12	●	●
	56,0	102	3	4	15	●	●
65	71,0	122	3	5	12	●	●
80	84,0	138	2	5	13	●	●
	86,0	138	3	5	15	●	●
100	104,0	158	2	5	16	●	●
	106,0	158	3	5	16	●	●
125	129,0	188	2	5	15	●	●
	131,0	188	3	5	20	●	●
150	154,0	210	2	5	19	●	●
	156,0	210	3	5	20	●	●
200	204,0	266	2	5	21	●	●
	206,0	266	3	5	25	●	●
250	254,0	318	2	5	24	●	●
	256,0	318	3	5	25	●	●
300	304,0	368	2	5	21	●	●
	306,0	368	3	5	21	●	●
350	356,0	428	3	5	21	●	●
400	406,0	480	3	5	21	●	●
450	456,0	530	3	5	25	●	●
500	506,0	585	3	5	25	●	●

● = lagerdimension
○ = værkslager / skaffevare

T-rør, svejste

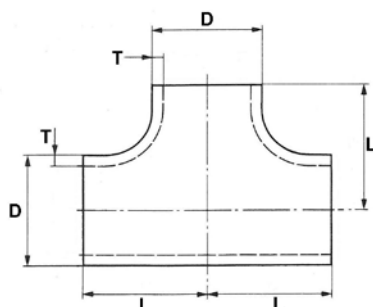


					INOX 4030	INOX 5030
ISO						
Nom. dim.	D mm	T mm	h mm	L mm	AISI 304L	AISI 316L
10	17,2	2,0	10,0	25,5	○	●
		2,3	10,0	25,5	○	○
15	21,3	2,0	12,0	25,5	○	●
		2,6	12,0	25,5	○	○
20	26,9	2,0	15,0	28,5	●	●
		2,6	15,0	28,5	●	●
25	33,7	2,0	19,0	38,0	●	●
		3,2	19,0	38,0	●	●
32	42,4	2,0	23,0	47,5	●	●
		3,2	23,0	47,5	●	●
40	48,3	2,0	26,0	57,0	●	●
		3,2	26,0	57,0	●	●
50	60,3	2,0	33,0	63,5	●	●
		3,0	33,0	63,5	○	○
		3,6	33,0	63,5	●	●
65	76,1	2,0	41,0	76,0	●	●
		3,0	41,0	76,0	○	○
		3,6	41,0	76,0	●	●
80	88,9	2,0	47,0	85,5	●	●
		3,0	47,0	85,5	○	○
100	114,3	2,0	61,0	105,0	●	●
		3,0	61,0	105,0	●	●
125	139,7	2,0	74,0	124,0	○	○
		3,0	74,0	124,0	●	●
150	168,3	2,0	89,0	143,0	○	○
		3,0	89,0	143,0	●	●
200	219,1	2,0	116,0	178,0	○	●
		3,0	116,0	178,0	○	●
250	273,0	3,0	149,0	250,0	○	●
300	323,9	3,0	177,0	300,0	○	○
350	355,6	3,0	195,0	350,0	○	○
400	406,4	3,0	223,0	400,0	○	○
500	508,0	3,0	381,0	762,0	○	○
600	609,6	4,0	432,0	864,0	○	○

					INOX 4035	INOX 5035
DIN						
Nom. dim.	D mm	T mm	h mm	L mm	AISI 304L	AISI 316L
15	20,0	2,0	12,0	25,5	○	●
20	25,0	2,0	15,0	28,5	○	●
25	30,0	2,0	17,0	38,0	○	●
32	38,0	2,0	21,0	47,5	○	●
40	44,5	2,0	24,0	47,5	○	●
50	54,0	2,0	29,0	63,5	○	●
65	70,0	2,0	38,0	76,0	○	●
80	84,0	2,0	45,0	85,5	○	●
100	104,0	2,0	55,0	105,0	●	●
	106,0	3,0	55,0	105,0	○	○
125	129,0	2,0	74,0	124,0	●	●
150	154,0	2,0	80,0	143,0	●	●
	156,0	3,0	80,0	143,0	○	○
200	204,0	2,0	110,0	178,0	●	●
	206,0	3,0	110,0	178,0	○	○
250	254,0	2,0	135,0	250,0	●	●
	256,0	3,0	135,0	250,0	○	○
300	306,0	3,0	168,0	300,0	●	●
350	356,0	3,0	192,0	350,0	○	○
400	406,0	3,0	220,0	400,0	○	○
450	456,0	3,0	248,0	450,0	○	○
500	506,0	3,0	275,0	500,0	○	○

- = lagerdimension
- = værkslager / skaffevare

Pressede T-rør, kvalitet AISI 316L

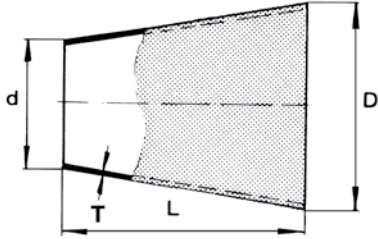


INOX nr. 5031				
ISO				
Nom. dim.	D mm	T mm	L mm	
10	17,2	1,6	25,5	●
15	21,3	2,0	27,5	●
20	26,9	2,0	28,5	●
25	33,7	2,0	38,0	●
32	42,4	2,0	47,5	●
40	48,3	2,0	57,0	●
50	60,3	2,6	64,0	●
65	76,1	2,6	76,0	●
80	88,9	2,6	86,0	●
100	114,3	2,6	105,0	○
125	139,7	2,6	124,0	○
150	168,3	2,6	143,0	○
200	219,1	2,6	178,0	○

INOX nr. 5036				
DIN				
Nom. dim.	D mm	T mm	L mm	
15	20,0	2,0	23,0	●
20	25,0	2,0	33,0	●
25	30,0	2,0	38,0	●
32	38,0	2,0	50,0	●
40	44,5	2,0	60,0	●
50	54,0	2,0	73,0	●
65	70,0	2,0	80,0	●
80	84,0	2,0	80,0	●
100	104,0	2,0	90,0	●
125	129,0	2,0	115,0	●
150	154,0	2,0	135,0	●
200	206,0	3,0	175,0	●
250	256,0	3,0	216,0	●

- = lagerdimension
- = værkslager / skaffevare

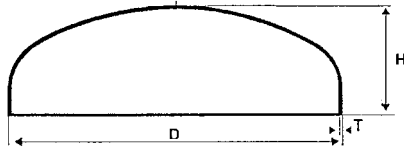
Konusser, koncentriske, kvalitet AISI 316L



		INOX 5040	INOX 5041			
ISO						
Nom. dim.	D mm	d mm	T mm	L mm	L mm	
15	10	21,3	17,2	2,0	12	
20	10	26,9	17,2	2,0		29
	15		21,3	2,0	38	17
25	10	33,7	17,2	2,0	51	49
	15		21,3	2,0	51	37
	20		26,9	2,0	51	20
32	15	42,4	21,3	2,0	51	63
	20		26,9	2,0	51	46
	25		33,7	2,0	51	26
40	15	48,3	21,3	2,0	64	81
	20		26,9	2,0	64	64
	25		33,7	2,0	64	44
	32		42,4	2,0	64	18
50	20	60,3	26,9	2,0	76	100
	25		33,7	2,0	76	80
	32		42,4	2,0	76	54
	40		48,3	2,0	76	36
65	25	76,1	33,7	2,0	89	127
	32		42,4	2,0	89	101
	40		48,3	2,0	89	83
	50		60,3	2,0	89	47
80	32	88,9	42,4	2,0	89	139
	40		48,3	2,0	89	122
	50		60,3	2,0	89	86
	65		76,1	2,0	89	38
100	50	114,3	60,3	2,0	102	162
	65		76,1	2,0	102	115
	80		88,9	2,0	102	76
125	65	139,7	76,1	2,0	127	189
				3,0	127	189
	80		88,9	2,0	127	152
				3,0	127	152
	100		114,3	2,0	127	76
				3,0	127	76
150	80	168,3	88,9	3,0	140	238
	100		114,3	3,0	140	152
	125		139,7	3,0	140	86
200	125	219,1	139,7	3,0	152	238
	150		168,3	3,0	152	152
250	150	273,0	168,3	3,0		314
	200		219,1	3,0		162
300	200	323,9	219,1	3,0		314
	250		273,0	3,0		153

		INOX 5045	INOX 5046			
DIN						
	D mm	d mm	T mm	L mm	L mm	
40	25	44	29	2,0	40	45
	32		36	2,0	40	24
50	32	54	36	2,0	50	54
	40		44	2,0	50	30
80	50	84	54	2,0	80	90
100	50	104	54	2,0	100	150
	80		84	2,0	100	60
125	50	129	54	2,0	125	225
	80		84	2,0	125	135
	100		104	2,0	125	75
150	80	154	84	2,0	150	210
	100		104	2,0	150	150
	125		129	2,0	150	75
200	100	204	104	2,0	200	300
	125		129	2,0	200	225
	150		154	2,0	200	150
250	150	254	154	2,0	250	300
	200		204	2,0	250	150
300	200	306	206	3,0		300
	250		256	3,0		150
350	250	356	256	3,0		300
	300		306	3,0		150
400	300	406	306	3,0		300
	350		356	3,0		150

Alle dimensioner er lagerstandard

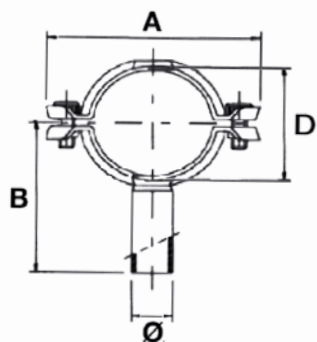


INOX nr.		4050	5050	
ISO				
Nom. dim.	D x T mm	H mm	AISI 304L	AISI 316L
10	17,2 x 2,0	13	○	●
15	21,3 x 2,0	15	○	●
20	26,9 x 2,0	11	●	●
25	33,7 x 2,0	13	●	●
32	42,4 x 2,0	16	●	●
40	48,3 x 2,0	16	●	●
50	60,3 x 2,0	20	●	●
	3,0	20	●	●
65	76,1 x 2,0	26	●	●
	3,0	26	●	●
80	88,9 x 2,0	28	●	●
	3,0	28	●	●
100	114,3 x 2,0	30	●	●
	3,0	30	●	●
125	139,7 x 2,0	30	●	●
	3,0	30	●	●
150	168,3 x 2,0	45	●	●
	3,0	45	●	●
200	219,1 x 2,0	48	●	●
	3,0	48	●	●
250	273,0 x 3,0	60	●	●
300	323,9 x 3,0	72	●	●
350	355,6 x 3,0	84	○	○
400	406,4 x 3,0	96	○	○
450	457,2 x 3,0	106	○	○
500	508,0 x 3,0	120	○	○
600	609,6 x 3,0	140	○	○

INOX nr.		4055	5055	
DIN				
Nom. dim.	D x T mm	H mm	AISI 304L	AISI 316L
15	20,0 x 2,0	15	○	●
20	25,0 x 2,0	11	○	●
25	30,0 x 2,0	12	○	●
32	38,0 x 2,0	14	○	●
	40,0 x 2,0	15	○	●
40	44,5 x 2,0	15	○	●
	51,0 x 2,0	18	○	●
50	54,0 x 2,0	18	○	●
65	70,0 x 2,0	18	○	●
80	84,0 x 2,0	22	○	●
100	104,0 x 2,0	24	●	●
	106,0 x 3,0	24	○	○
125	129,0 x 2,0	34	●	●
150	154,0 x 2,0	41	●	●
	156,0 x 3,0	41	●	●
200	204,0 x 2,0	50	●	●
	206,0 x 3,0	50	●	●
250	254,0 x 2,0	55	●	●
	256,0 x 3,0	55	●	●
300	304,0 x 2,0	68	●	●
	306,0 x 3,0	68	●	●
350	356,0 x 3,0	84	●	●
400	406,0 x 3,0	96	●	●
450	456,0 x 3,0	106	○	●
500	506,0 x 3,0	120	○	●
600	606,0 x 3,0	140	○	○

- = lagerdimension
- = værkslager / skaffevare

Rørbærere med kort svejseskaft, kvalitet AISI 304



INOX nr. 4060					
ISO					
Nom. dim.	Rørdim. mm	D mm	A mm	B mm	Ø mm
6	10,2	12	62	60	8
8	13,5	15	64	60	8
10	17,2	20	70	60	8
15	21,3	25	74	90	8
20	26,9	30	82	90	21
25	33,7	36	89	90	21
32	42,4	45	98	90	21
40	48,3	50	103	90	21
50	60,3	62	115	90	21
65	76,1	78	132	90	21
80	88,9	92	145	90	21
100	114,3	116	169	90	21
125	139,7	142	195	116	21
150	168,3	170	223	120	21

Alle dimensioner er lagerstandard

INOX nr. 4065					
DIN					
Nom. dim.	Rørdim. mm	D mm	A mm	B mm	Ø mm
	19,0	21	70	60	8
	25,0	27	80	90	21
	30,0	32	82	90	21
	35,0	37	90	90	21
	40,0	42	95	90	21
	51,0	53	106	90	21
50	54,0	56	109	90	21
65	70,0	72	125	90	21
80	84,0	87	139	90	21
100	104,0	106	159	90	21
125	129,0	131	184	110	21
150	154,0	156	209	120	21
200	204,0	206	259	140	21
250	254,0	256	309	170	21
300	304,0	308	361	195	21

Alle dimensioner er lagerstandard

Vi kan også levere:

- Svejsefittings iht ASME-standard
 - Svejsefittings i EN 1.4541 / 1.4571
 - Svejsefittings i EN 1.4435 / 1.4436
 - Svejsefittings i EN 1.4539 / 1.4462
 - Bøjninger med alternativ radius
 - Bøjninger med D+100 radius
 - Bøjninger 180 grader (kun ASME)
 - Bøjninger 45 grader (kun ASME)
 - Svejsefittings op til Ø 1016 mm
 - Endebunde op til Ø 3000 mm
 - T-rør med påsvejst gren
 - T-rør reduceret
 - Excentriske konusser
 - Endebunde DIN 28011 (Kløpper)
 - Endebunde DIN 28013 (Korbbogen)
 - SØMLØSE svejsefittings
- og meget andet...

